

Full-size PCIe MINI CARD WLE200NX

Dual-band 802.11n MIMO 2 x 2 mini PCIe

Features

- Atheros XB92 reference design
- Atheros XSPAN family chipset, P/N AR9280
- IEEE 802.11n compliant and backward compatible with 802.11a/b/g
- Dual-band 2 x 2 MIMO spatial multiplexing technique
- Maximum output power 18dBm@802.11a / 20dBm MIMO aggregate
- Supports up to 300Mbps physical data rates
- 4.9GHz support (Optional)^①
- Delivers up to 10 times the throughput and nearly twice the range of legacy 802.11a and 802.11b/g networks
- Transmission Power Control (IEEE 802.11h TPC)
- Dynamic Frequency Selection (DFS)
- Multi-Country Roaming Supported (IEEE802.11d Global Harmonization Standard)
- 2 x U.FL Antenna Connector
- Complaint with PCI-Express Mini Card 1.1 Standard
- Supports 802.11x authentication, 64/128/152Bit WEP, IEEE802.11i encryption
- Supports Windows 7, Windows Vista, Windows XP, Windows 2000 operating system

Technical Specifications										
Chipset	AR9280									
Host Interface	PCI-Express 1.1 Standard									
Operating Voltage	3.3 VDC									
Power Consumption [2T2R]	11b Cont. Tx @5.5M					2.3W				
	11g Cont. Tx @6M					2.7W				
	11a Cont. Tx @6M					2.5W				
	11ng Cont. Tx@HT20 MCS0					2.7W				
	11ng Cont. Tx@HT40 MCS0					2.5W				
	11na Cont. Tx@HT20 MCS0					2.7W				
	11na Cont. Tx@HT40 MCS0					2.5W				
	11g Cont. Rx					1.3W				
	11a Cont. Rx					1.3W				
Standby					1W					
Antenna Connector	2 x U.FL Antenna Connector									
Data Rate	IEEE 802.11a :	54Mbps	48Mbps	36Mbps	24Mbps	18Mbps	12Mbps	9Mbps	6Mbps	
	IEEE 802.11b :	11Mbps	5.5Mbps	2Mbps	1Mbps					
	IEEE 802.11g :	54Mbps	48Mbps	36Mbps	24Mbps	18Mbps	12Mbps	9Mbps	6Mbps	automatically
	Fallback to 5.5Mbps, 2Mbps, 1Mbps									
	IEEE 802.11n :	20MHZ	1Nss: 65Mbps @ 800GI, 72.2Mbps @ 400GI (Max.) 2Nss: 130Mbps @ 800GI, 144.4Mbps @ 400GI (Max.)							
	40MHz	1Nss: 135Mbps @ 800GI, 150Mbps @ 400GI (Max.) 2Nss: 270Mbps @ 800GI, 300Mbps @ 400GI (Max.)								
Frequency Range	IEEE802.11b/g/n:	2.412GHz ~ 2.462GHz (US & Canada)								
		2.412GHz ~ 2.472GHz (Europe)								
		2.412GHz ~ 2.484GHz (Japan)								
	IEEE 802.11a/n:	5.150 ~ 5.350 GHz, 5.470 ~ 5.725GHz, 5.725 ~ 5.850 GHz (US & Canada)								
		5.150 ~ 5.350 GHz, 5.470 ~ 5.725GHz, 5.725 ~ 5.875 GHz (Europe) 5.150 ~ 5.250 GHz, 5.250 ~ 5.350GHz, 5.470 ~ 5.725GHz (Japan)								
Modulation Techniques	OFDM: BPSK, QPSK, 16-QAM, 64-QAM DSSS: DBPSK, DQPSK, CCK									
Radio & EMC Certification	CE, FCC									
RoHS Compliance	Yes									
Temperature Range	Operating: -20°C to 70°C Storage: -40°C to 90°C									
Humidity	Operating: 5% to 95% (non-condensing) Storage: Max.90% (non-condensing)									
Dimensions	50.95mm x 30 mm x 3.2 mm (H x W x D)									

WLE200NX PCIe Mini CARD RADIO

TX SPECIFICATIONS

802.11b	DataRate	2.437GHz (per chain)	2.437GHz (2 chains)	Tolerance	802.11g	DataRate	2.437GHz (per chain)	2.437GHz (2 chains)	Tolerance
	1Mbps	18dBm	21dBm	+1.5/-2.0 dB		6-24Mbps	17dBm	20dBm	+1.5/-2.0 dB
	5.5Mbps	18dBm	21dBm	+1.5/-2.0 dB		36Mbps	17dBm	20dBm	+1.5/-2.0 dB
	11Mbps	18dBm	21dBm	+1.5/-2.0 dB		48Mbps	16dBm	19dBm	+1.5/-2.0 dB
				54Mbps	15dBm	18dBm	+1.5/-2.0 dB		

2.4GHz 11n HT20	DataRate	2.437GHz (per chain)	2.437GHz (2 chains)	Tolerance	2.4GHz 11n HT40	DataRate	2.437GHz (per chain)	2.437GHz (2 chains)	Tolerance
	MCS 0/8	17dBm	20dBm	+1.5/-2.0 dB		MCS 0/8	17dBm	20dBm	+1.5/-2.0 dB
	MCS 1/9	17dBm	20dBm	+1.5/-2.0 dB		MCS 1/9	17dBm	20dBm	+1.5/-2.0 dB
	MCS 2/10	17dBm	20dBm	+1.5/-2.0 dB		MCS 2/10	17dBm	20dBm	+1.5/-2.0 dB
	MCS 3/11	17dBm	20dBm	+1.5/-2.0 dB		MCS 3/11	17dBm	20dBm	+1.5/-2.0 dB
	MCS 4/14	17dBm	20dBm	+1.5/-2.0 dB		MCS 4/14	17dBm	20dBm	+1.5/-2.0 dB
	MCS 5/13	17dBm	20dBm	+1.5/-2.0 dB		MCS 5/13	17dBm	20dBm	+1.5/-2.0 dB
	MCS 6/14	14dBm	17dBm	+1.5/-2.0 dB		MCS 6/14	14dBm	17dBm	+1.5/-2.0 dB
	MCS 7/15	10dBm	13dBm	+1.5/-2.0 dB		MCS 7/15	9dBm	12dBm	+1.5/-2.0 dB

802.11a	DataRate	5.500GHz (per chain)	5.500GHz (2 chains)	Tolerance
	6-24Mbps	17dBm	20dBm	+1.5/-2.0 dB
	36Mbps	15dBm	18dBm	+1.5/-2.0 dB
	48Mbps	13dBm	16dBm	+1.5/-2.0 dB
	54Mbps	12dBm	15dBm	+1.5/-2.0 dB

5GHz 11n HT20	DataRate	5.500GHz (per chain)	5.500GHz (2 chains)	Tolerance	5GHz 11n HT40	DataRate	5.500GHz (per chain)	5.500GHz (2 chains)	Tolerance
	MCS 0/8	17dBm	20dBm	+1.5/-2.0 dB		MCS 0/8	17dBm	20dBm	+1.5/-2.0 dB
	MCS 1/9	17dBm	20dBm	+1.5/-2.0 dB		MCS 1/9	17dBm	20dBm	+1.5/-2.0 dB
	MCS 2/10	17dBm	20dBm	+1.5/-2.0 dB		MCS 2/10	17dBm	20dBm	+1.5/-2.0 dB
	MCS 3/11	17dBm	20dBm	+1.5/-2.0 dB		MCS 3/11	17dBm	20dBm	+1.5/-2.0 dB
	MCS 4/14	17dBm	20dBm	+1.5/-2.0 dB		MCS 4/14	17dBm	20dBm	+1.5/-2.0 dB
	MCS 5/13	16dBm	19dBm	+1.5/-2.0 dB		MCS 5/13	16dBm	19dBm	+1.5/-2.0 dB
	MCS 6/14	12dBm	15dBm	+1.5/-2.0 dB		MCS 6/14	12dBm	15dBm	+1.5/-2.0 dB
	MCS 7/15	8dBm	11dBm	+1.5/-2.0 dB		MCS 7/15	8dBm	11dBm	+1.5/-2.0 dB

RX SPECIFICATIONS

802.11b	DataRate	Sensitivity (2 chains)	Tolerance
	1M	-93dBm	±2dB
	5.5M	-93dBm	±2dB
	11M	-91dBm	±2dB

802.11a	DataRate	Sensitivity (2 chains)	Tolerance	802.11g	DataRate	Sensitivity (2 chains)	Tolerance
	6M	-94dBm	±2dB		6M	-94dBm	±2dB
	9M	-94dBm	±2dB		9M	-94dBm	±2dB
	12M	-93dBm	±2dB		12M	-93dBm	±2dB
	18M	-90dBm	±2dB		18M	-90dBm	±2dB
	24M	-86dBm	±2dB		24M	-86dBm	±2dB
	36M	-83dBm	±2dB		36M	-83dBm	±2dB
	48M	-79dBm	±2dB		48M	-80dBm	±2dB
	54M	-75dBm	±2dB	54M	-78dBm	±2dB	

5GHz 11n HT20	MCS	Sensitivity	Tolerance	2.4GHz 11n HT20	MCS	Sensitivity	Tolerance
	MCS0	-93dBm	±2dB		MCS0	-93dBm	±2dB
	MCS1	-91dBm	±2dB		MCS1	-92dBm	±2dB
	MCS2	-87dBm	±2dB		MCS2	-90dBm	±2dB
	MCS3	-85dBm	±2dB		MCS3	-86dBm	±2dB
	MCS4	-82dBm	±2dB		MCS4	-83dBm	±2dB
	MCS5	-77dBm	±2dB		MCS5	-78dBm	±2dB
	MCS6	-75dBm	±2dB		MCS6	-76dBm	±2dB
	MCS7	-72dBm	±2dB	MCS7	-73dBm	±2dB	

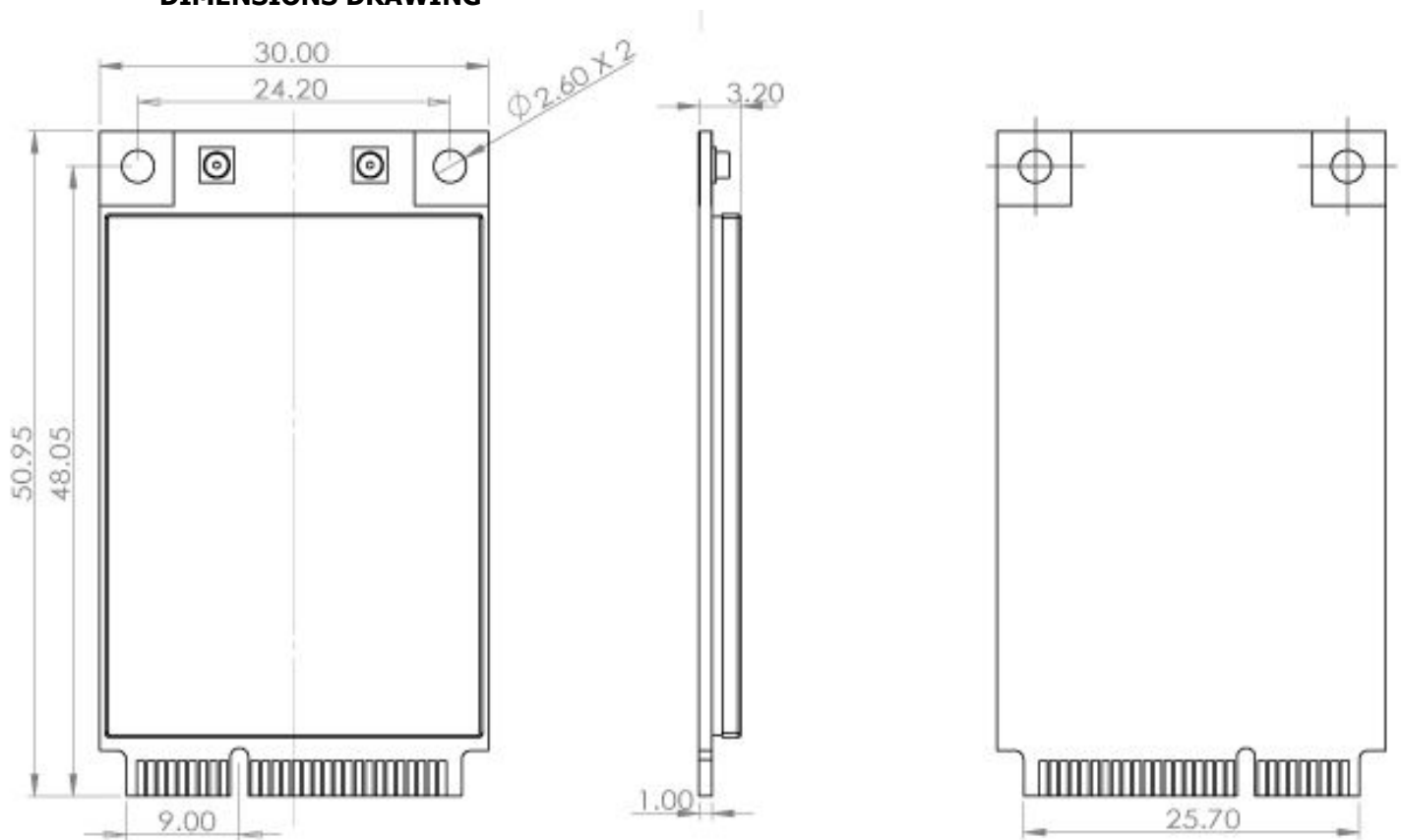
5GHz 11n HT40	MCS	Sensitivity	Tolerance	2.4GHz 11n HT40	MCS	Sensitivity	Tolerance
	MCS0	-90dBm	±2dB		MCS0	-90dBm	±2dB
	MCS1	-88dBm	±2dB		MCS1	-89dBm	±2dB
	MCS2	-85dBm	±2dB		MCS2	-86dBm	±2dB
	MCS3	-82dBm	±2dB		MCS3	-82dBm	±2dB
	MCS4	-79dBm	±2dB		MCS4	-80dBm	±2dB
	MCS5	-76dBm	±2dB		MCS5	-76dBm	±2dB
	MCS6	-72dBm	±2dB		MCS6	-73dBm	±2dB
	MCS7	-70dBm	±2dB	MCS7	-71dBm	±2dB	

Ordering Information[®]

Model Code	Form Factor	CARD INFORMATIONS
WLE200NX 7A0000	Full Size	802.11 a/b/g/n PCIe mini card
WLE200NX 7A0000-4.9	Full Size	802.11 a/b/g/n PCIe mini card

- ① Depends on Order Configuration
- ② Configurations are subject to change without notice,
Please contact Complex sales representatives for other available configurations

DIMENSIONS DRAWING



WLM SERIES MINIPCI

WLM54 series miniPCI (legacy a/b/g card)								
MODEL	WLM 54G-20dBm	WLM 54G-23dBm	WLM 54G-23 ESD	WLM 54G-26dBm	WLM54G-30 ESD	WLM 54AG – 20dBm	WLM 54AG – 23dBm	WLM 54A – 26 ESD
CHIPSET	AR 2413/2414 (AR5005G/GS)	AR 2413/2414 (AR5005G/GS)	AR 2413/2414 (AR5005G/GS)	AR 2413/2414 (AR5005G/GS)	AR 2413/2414 (AR5005G/GS)	AR 5413/5414 (AR5006X/XS)	AR 5413/5414 (AR5006X/XS)	AR5414 (AR5006X/XS)
SPEED	UP TO 54/108Mbps	UP TO 54/108Mbps	UP TO 54/108Mbps	UP TO 54/108Mbps	UP TO 54/108Mbps	UP TO 54/108Mbps	UP TO 54/108Mbps	UP TO 108Mbps
OUTPUT POWER						20dBm@6-24Mbps 17dBm@36Mbps 16dBm@48Mbps 13dBm@54Mbps	23dBm@6-24Mbps 21dBm@36Mbps 19dBm@48Mbps 17dBm@54Mbps	26dBm@6-24Mbps 24dBm@36Mbps 22dBm@48Mbps 20dBm@54Mbps
802.11a	-	-	-	-	-	-	-	-
802.11b	20dBm@1-11Mbps	23dBm@1-11Mbps	23dBm@1-11Mbps	26dBm@1-11Mbps	30dBm@1-11Mbps	20dBm@1-11Mbps	23dBm@1-11Mbps	-
802.11g	20dBm@6-24Mbps 19dBm@36Mbps 17dBm@48Mbps 16dBm@54Mbps	23dBm@6-24Mbps 22dBm@36Mbps 19dBm@48Mbps 17dBm@54Mbps	23dBm@6-24Mbps 22dBm@36Mbps 19dBm@48Mbps 17dBm@54Mbps	26dBm@6-24Mbps 25dBm@36Mbps 24dBm@48Mbps 23dBm@54Mbps	30dBm@6-24Mbps 28dBm@36Mbps 27dBm@48Mbps 25dBm@54Mbps	20dBm@6-24Mbps 18dBm@36Mbps 17dBm@48Mbps 15dBm@54Mbps	23dBm@6-24Mbps 21dBm@36Mbps 19dBm@48Mbps 17dBm@54Mbps	-
Receiver Sensitivity						-93dBm @ 6Mbps -72dBm @ 54Mbps	-93dBm @ 6Mbps -72dBm @ 54Mbps	-96dBm @ 6Mbps -76dBm @ 54Mbps
802.11a								
802.11b	-96dBm @ 6Mbps -90dBm @ 11Mbps	-96dBm @ 6Mbps -90dBm @ 11Mbps	-93dBm @ 6Mbps -90dBm @ 11Mbps	-93dBm @ 6Mbps -90dBm @ 11Mbps	-96dBm @ 6Mbps -90dBm @ 11Mbps	-96dBm @ 6Mbps -90dBm @ 11Mbps	-96dBm @ 6Mbps -90dBm @ 11Mbps	-96dBm @ 6Mbps -90dBm @ 11Mbps
802.11g	-93dBm @ 6Mbps -74dBm @ 54Mbps	-93dBm @ 6Mbps -74dBm @ 54Mbps	-93dBm @ 6Mbps -72dBm @ 54Mbps	-93dBm @ 6Mbps -72dBm @ 54Mbps	-93dBm @ 6Mbps -74dBm @ 54Mbps	-93dBm @ 6Mbps -74dBm @ 54Mbps	-93dBm @ 6Mbps -74dBm @ 54Mbps	-93dBm @ 6Mbps -74dBm @ 54Mbps
Operating Channels	IEEE 802.11g: 11 Channel (US & Canada) 13 Channel (Europe) 14 Channel (Japan)					IEEE 802.11a: 13 Channel (US & Canada) 19 Channel (Europe) 10 Channel (Japan)		
Interface	PCI Interface v2.3 (Type III-B Mini PCI Form Factor)							32-bit mini-PCI Type IIIA+ (1.85mm longer than IIIA type)
Input Power	3.3V DC							
Operating Temperature	-20°C to 70°C							

WLM200 series miniPCI (11n MIMO 2*2 card)					
MODEL	WLM200N2	WLM200N2-26dBm	WLM200NX	WLM200N5-23 ESD	WLM200N5-26 ESD
CHIPSET	AR9223	AR9223	AR9220	AR9220	AR9220
SPEED	UP TO 300Mbps physical data rates	UP TO 300Mbps physical data rates	UP TO 300Mbps physical data rates	UP TO 300Mbps physical data rates	UP TO 300Mbps physical data rates
OUTPUT POWER			18dBm@6-24Mbps 18dBm@36Mbps 17dBm@48Mbps 16dBm@54Mbps	23dBm@6-24Mbps 22dBm@36Mbps 21dBm@48Mbps 20dBm@54Mbps	26dBm@6-24Mbps 25dBm@36Mbps 24dBm@48Mbps 23dBm@54Mbps
5G HT20			18dBm @MCS0 12dBm @MCS7	23dBm @MCS0 17dBm @MCS7	25dBm @MCS0 20dBm @MCS7
5G HT40			16.5dBm @MCS0 9dBm @MCS7	21dBm @MCS0 14dBm @MCS7	24dBm @MCS0 17dBm @MCS7
802.11b	20dBm@1-11Mbps 20dBm@6-24Mbps	26dBm@1-11Mbps 26dBm@6-24Mbps	20dBm@1-11Mbps 20dBm@6-24Mbps	20dBm@1-11Mbps 20dBm@6-24Mbps	20dBm@1-11Mbps 20dBm@6-24Mbps
802.11g	20dBm@36Mbps 16dBm@48Mbps 15dBm@54Mbps	26dBm@36Mbps 22dBm@48Mbps 21dBm@54Mbps	19.5dBm@36Mbps 18.5dBm@48Mbps 17dBm@54Mbps	19.5dBm@36Mbps 18.5dBm@48Mbps 17dBm@54Mbps	19.5dBm@36Mbps 18.5dBm@48Mbps 17dBm@54Mbps
2.4G HT20	17dBm @MCS0 14dBm @MCS7	23dBm @MCS0 20dBm @MCS7	18dBm @MCS0 15dBm @MCS7	18dBm @MCS0 15dBm @MCS7	18dBm @MCS0 15dBm @MCS7
2.4G HT40	16dBm @MCS0 14dBm @MCS7	22dBm @MCS0 20dBm @MCS7	18dBm @MCS0 14.5dBm @MCS7	18dBm @MCS0 14.5dBm @MCS7	18dBm @MCS0 14.5dBm @MCS7
Receiver Sensitivity			-94dBm@6M -77dBm@54M	-97dBm@6M -80dBm@54M	-96dBm@6M -79dBm@54M
5G HT20			-93dBm@MCS0 -74dBm@MCS7	-97dBm@MCS0 -77dBm@MCS7	-95dBm@MCS0 -75dBm@MCS7
5G HT40			-90dBm@MCS0 -72dBm@MCS7	-92dBm@MCS0 -74dBm@MCS7	-92dBm@MCS0 -74dBm@MCS7
802.11b	-94dBm@1M -92dBm@11M	-94dBm@1M -92dBm@11M	-94dBm@1M -94dBm@11M	-94dBm@1M -94dBm@11M	-94dBm@1M -94dBm@11M
802.11g	-94dBm@6M -78dBm@54M	-94dBm@6M -74dBm@54M	-94dBm@6M -78dBm@54M	-94dBm@6M -78dBm@54M	-94dBm@6M -78dBm@54M
2.4G HT20	-93dBm@MCS0 -76dBm@MCS7	-92dBm@MCS0 -73dBm@MCS7	-93dBm@MCS0 -74dBm@MCS7	-93dBm@MCS0 -74dBm@MCS7	-93dBm@MCS0 -74dBm@MCS7
2.4G HT40	-90dBm@MCS0 -73dBm@MCS7	-90dBm@MCS0 -71dBm@MCS7	-90dBm@MCS0 -72dBm@MCS7	-90dBm@MCS0 -72dBm@MCS7	-90dBm@MCS0 -72dBm@MCS7
Operating Channels	IEEE 802.11g: 11 Channel (US & Canada) 13 Channel (Europe) 14 Channel (Japan)			IEEE 802.11a: 13 Channel (US & Canada) 19 Channel (Europe) 10 Channel (Japan)	
Interface	PCI Interface v2.3 (Type III-A Mini PCI form factor)				32-bit mini-PCI Type IIIA+ (6.55mm longer than IIIA type)
Input Power	3.3V DC				
Operating Temperature	-20°C to 70°C				

Compex Systems Pte Ltd

135 Joo Seng Road, PM Industrial Building #08-01,
Singapore 368363
Tel: (65) 6286 2086
Fax: (65) 6280-9947
Email: sales@compex.com.sg

Compex (Suzhou) Co Ltd

NO.12, ChuangTou Industrial Square,
LouFeng North, Suzhou Industrial Park,
Suzhou, Jiangsu Province, China 215122
Tel: (86)-512-62950050
Fax: (86)-512-62950026



Copyright © 2010 Compex Systems. All rights reserved. COMPEX and the COMPEX logo, are registered trademarks of COMPEX Inc. Atheros and other trademarks are properties of their respective owners. While every effort is made to ensure the information accurate, Compex does not accept liability for any errors or mistakes that may arise. All specification is subject to change without notice. DS: V2.4.0 Alex 130201

For more information, visit www.compex.com.sg