

AOA-2408

2.4~2.5GHz 8dBi Omni Antenna

AOA-2408 antennas are professionally engineered and manufactured with the highest industry quality at the lowest possible price providing extreme value.

AOA-2408 is designed for the 2.4GHz ISM band, supporting 2.4 to 2.5 GHz and provides superb performance in IEEE 802.11b/g WiFi and Bluetooth applications.

AOA-2408 includes mounting bracket and hardware for up to 2" masts. Made with fiberglass and comes with an integrated N Female

Applications:

2.4 - 2.5 GHz ISM Band
IEEE 802.11b, 802.11g, 802.11n Wireless LAN
Directional and multipoint applications
Bluetooth
Public Wireless Hotspot
WiFi, RFID
Wireless Video Systems

Features :

Superior performance
Light weight
All weather operation
DC Short lightning protection
Installed for vertical
Includes tilt and swivel mast mount
In accordance with customer needs to change the color or features



Model	AOA-2408
Frequency	2.4-2.5GHz
VSWR	≤ 1.5
Gain	8dBi
Polarization	Vertical
Power Handling	50 Watts
Impedance	50 Ω
Beam Width	H: 360° / V: 15°
Connector	N Female
Operation Temp	-40°C ~ +80°C
Dimension	560*70 mm
Mounting	32 ~ 45 mm (1.2 ~1.75 inch)
Weight	375g

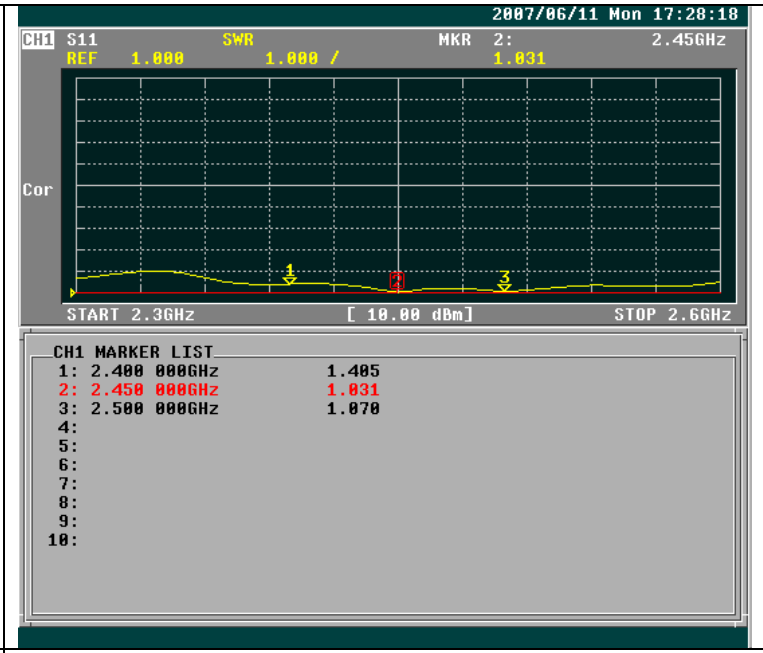
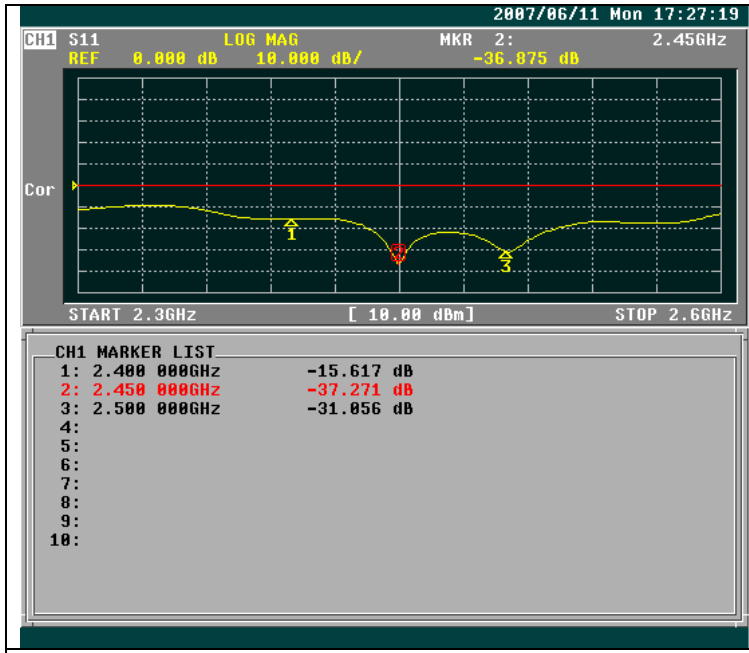
For further details:

Alfa Network Inc.,
4F-1 No. 106, Rueiguang Rd.,
Neihu District,
Taipei City, Taiwan.
<http://www.alfa.com.tw>
sales@alfa.com.tw
Tel:+886-2-27968477
Fax:+886-2-27968478

AOA-2408

2.4~2.5GHz Omni Antenna 8dBi

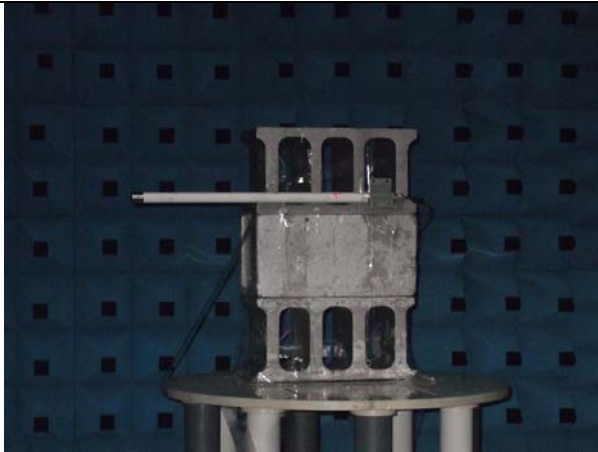
Network Analyzer Test Report



AOA-2408

2.4~2.5GHz Omni Antenna 8dBi

RF Chamber Test Report Frequency: 2.4 ~ 2.5GHz



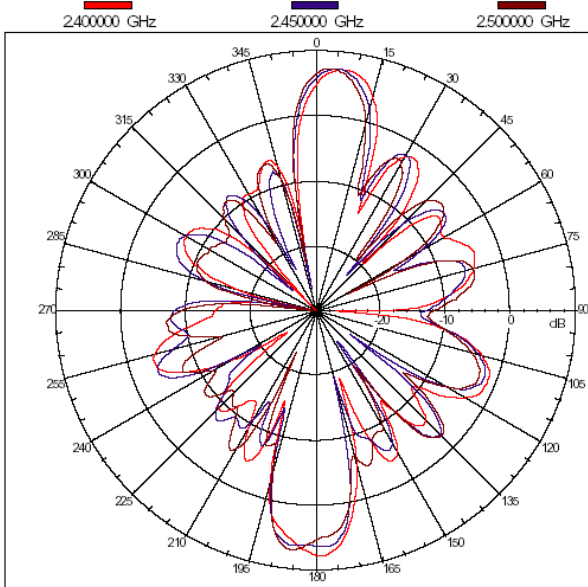
Vertical Pattern Photos



Horizontal Pattern Photos

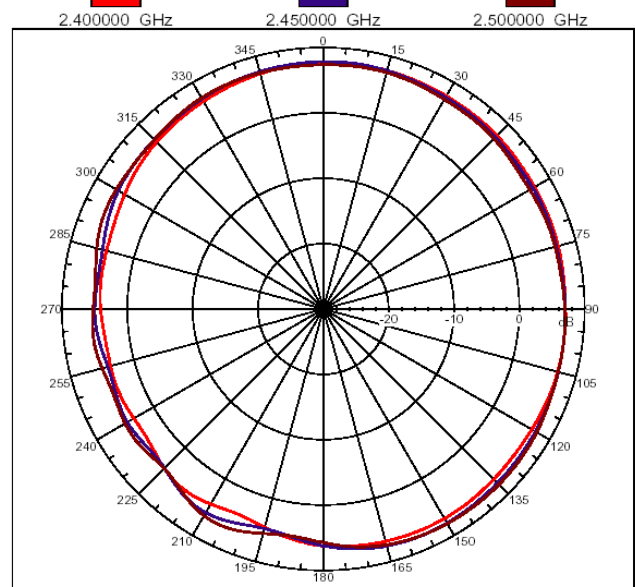
Frequency: 2.4-2.5GHz

E-plane co-pol ----- 3-dB beam-with=15 Deg



Vertical Pattern

H-plane co-pol ----- 3-dB beam-with=360 Deg

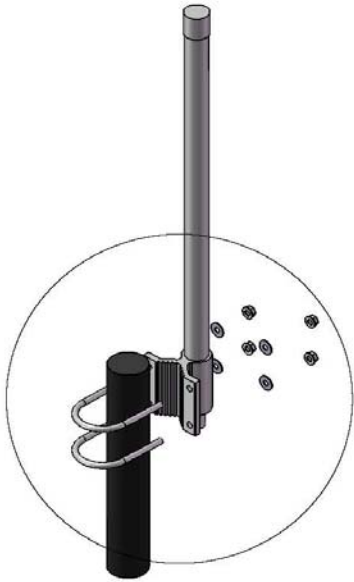


Horizontal Pattern

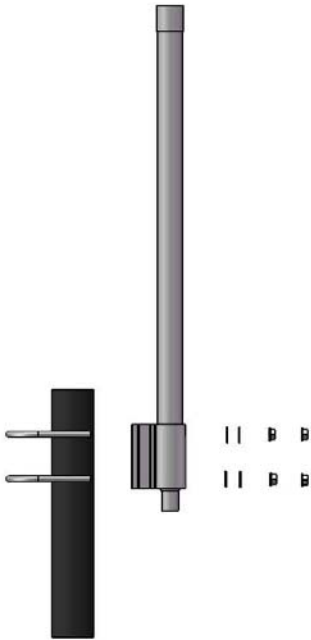
AOA-2408

2.4~2.5GHz Omni Antenna 8dBi

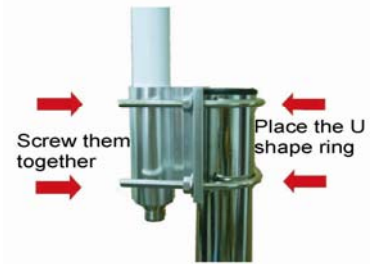
Mounting Kits Install Guide



2 : 5



1.



2.



3.

Finish

